

## DRAGA 1000 JET SUCTION DREDGER



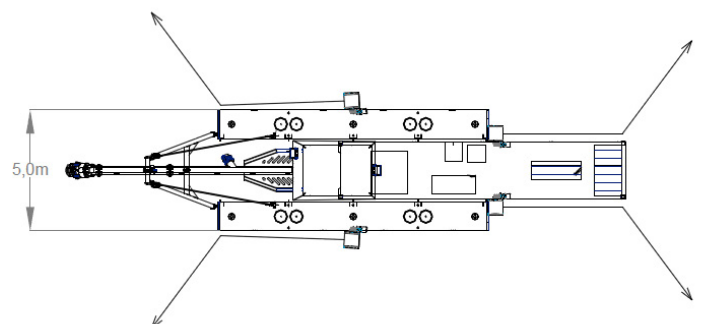
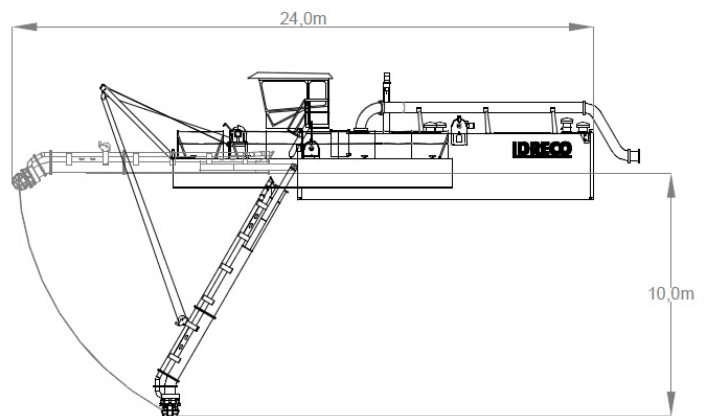
### INNOVATIVE – SUSTAINABLE – ROBUST

—— **Electric-driven:** lowest cost per cubic meter. No emission, minimal noise pollution.

—— In-house **iPump®** line: developed through sixty years of experience in sand- and gravel extraction. Wear resistant for increased life span, optimal suction characteristics, adaptable for a wide range of tasks.

—— In-house **iDredge® control- and automation system:** ensuring increased efficiency and reduced power consumption. Optional: remote controlled dredge systems and data collection for automated analyses on performance.

—— **Containerized** for low-cost transportation worldwide and inland delivery to remote locations. Relocation facilitated through the iPlug-and-Dredge Concept. **Modular** design for industry-leading delivery times and continuous **availability of spare parts.**



# DRAGA 1000 JET SUCTION DREDGER

## TECHNICAL SPECIFICATIONS

### FEATURES

- Transportable by three shipping containers
- Efficient Electric Drive System
- Small Environmental Footprint
- Low Noise & Vibration Level
- One-man Operation

### DREDGING FEATURES

Max. Dredging Depth:	10	[m]
Nominal Mixture Flow:	900 – 2400	[m <sup>3</sup> /h]
Available Suction Diameter:	300 – 450	[mm]
Available Discharge Diameter:	250 – 400	[mm]
Available Dredge Pump Sizes:	250 / 300 / 350 / 400	[mm]
Min. Spherical Pump Passage:	160	[mm]

### DREDGE PUMP DRIVE

Power Source:	Electric feed cable
Reduction drive:	V-belt
Available Dredge Pump Power:	315 / 400 / 500 [kW]

### JET PUMP

Jet Pump Power:	230 / 280	[m <sup>3</sup> /h]
Jet Pump Pressure:	8	[bar]
No. Jet Nozzles:	8	[pcs]

### PRINCIPLE DIMENSIONS

Length o.a. with raised ladder:	24	[m]
Length over pontoons:	17.5	[m]
Width:	5	[m]
Depth:	1.5	[m]
Draught:	1	[m]
Main Pontoon LxWxH:	12 x 2.5 x 2.8	[m]
Side Pontoons LxWxH:	11,5 x 1.25 x 1.5	[m]
Total dry weight:	50	[ton]
Air draught:	4.2	[m]

### ELECTRIC INSTALLATION

Primary Voltage:	6	[kV]
Secondary Voltage (3-Phase):	400	[Vac]
Dredge Pump Power Source:	VFD	
Jet Pump Power Source:	Soft starter / VFD	
Mooring Winches:	DOL starter	

### DECK INSTALLATION

Suction Tube Hoisting Winch (Electric):	40	[kN]
Mooring Winches (Electric):	30	[kN]
Mooring Winch Wire Capacity:	200	[m]

### DECK CRANE

Lifting Capacity:	15	[kN]
Outreach:	2.2	[m]

### TOOLS

- Special tools are supplied for maintenance of dredge pump

### INSTRUMENTATION

- **iDredge®** Dredger Control System
- Dredging Depth indication
- Vacuum and Pressure Indication of Dredge Pump

### OPTIONAL EQUIPMENT

- DGPS Dredge Mining Control System
- Production Measurement
- Discharge Velocity Measurement
- Additional Hydraulic Excavation Head
- Wedge piece for small min. Dredging depths
- Floating discharge pipe line
- Floating high voltage supply cable
- Remote dredge monitoring
- Direct drive PM motor