

IDRECO

www.rohridreco.ru

The Netherlands ROHR-IDRECO Dredgers

Logistiekweg 4
7007 CJ Doetinchem
+31 314 66 70 01
sales@idreco.nl
idreco.nl

Germany ROHR-IDRECO Bagger

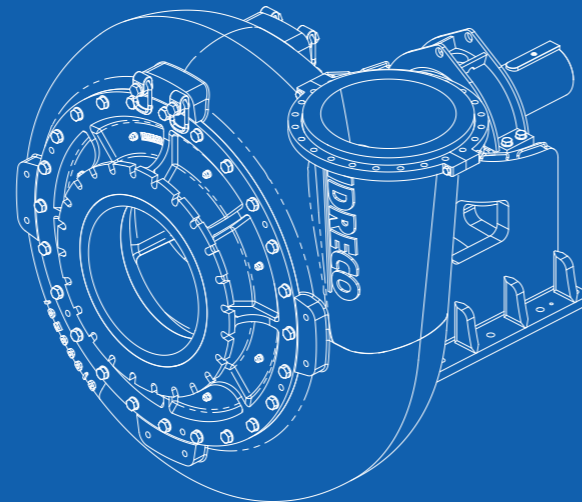
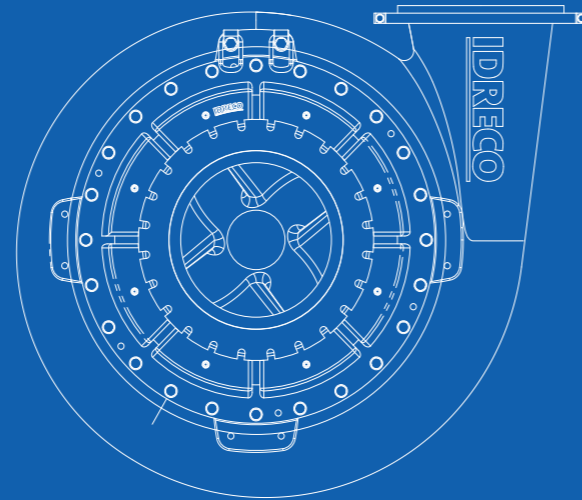
Rotterdam Str. 15
68219 Mannheim
+49 621 84 55 90
info@rohrbagger.de
rohrbagger.de

France ROHR-IDRECO Dragues

Zone Artisanale
57800 Betting
+33 3 87 92 05 31
samuel@rohr-france.fr
rohrbagger.de/french

USA ROHR-IDRECO Dredge Systems

1750 Madison Avenue
New Richmond WI 54017
+1 513-202-0800
info@rohrdredge.com
rohridreco dredge.com



Pumps

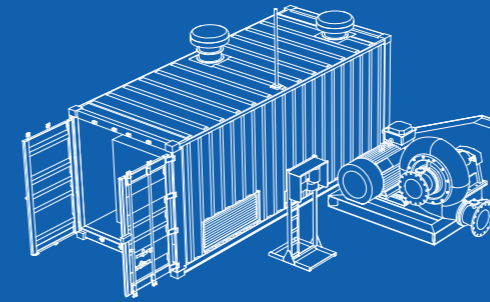
Available suction sizes:
ø200–ø1100 mm

Flow Rate:
up to 20.000 m³/h

Nominal Operating Head:
Low Pressure Pumps: 20–50 m
Medium Pressure Pumps: 35–70 m
High Pressure Pumps: 60–100 m

Seal:
Stuffing Box
Simmering Seal
Mechanical Seal
Liquidyne Seal

Optional:
Submerged version
3/4/5 Vane Impeller
High Chrome White Iron
Cast Steel
PU-coated
Automated Lubrication System
Cooling system pump bearing cartridge



Booster - Land Based

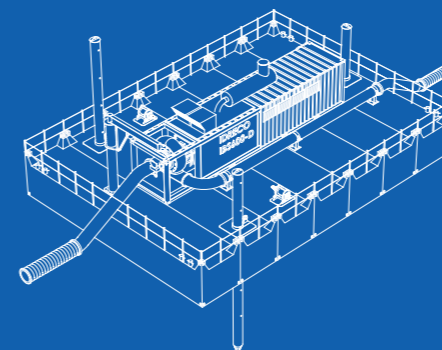
Mixture capacity:
1000–12.000 m³/h

Maximum head:
80 m

Drive:
Electric - Diesel

Control system:
iDredge® Stand-Alone Booster Control

Optional:
Communication with dredger



Booster - Floating

Mixture capacity:
1000–12.000 m³/h

Maximum head:
80 m

Drive:
Electric - Diesel

Control system:
iDredge® Stand-Alone Booster Control

Optional:
Spuds
Mooring Winches
Communication with dredger

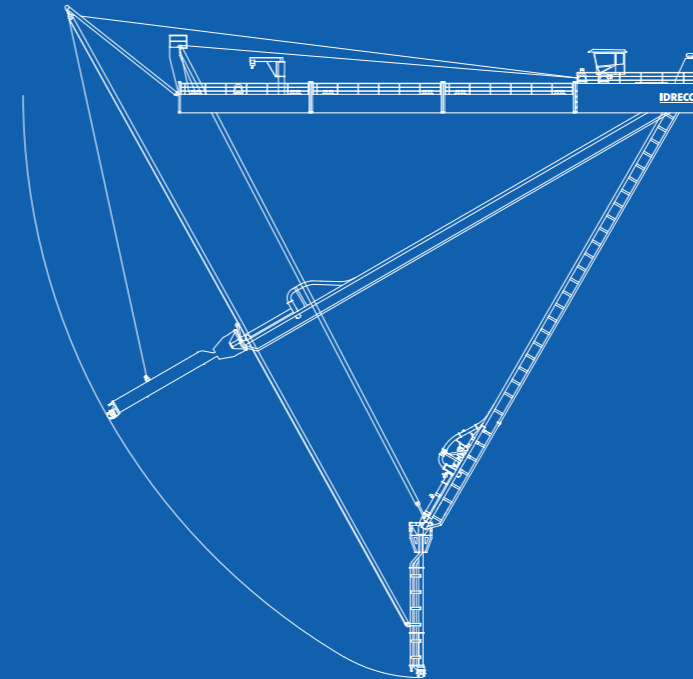
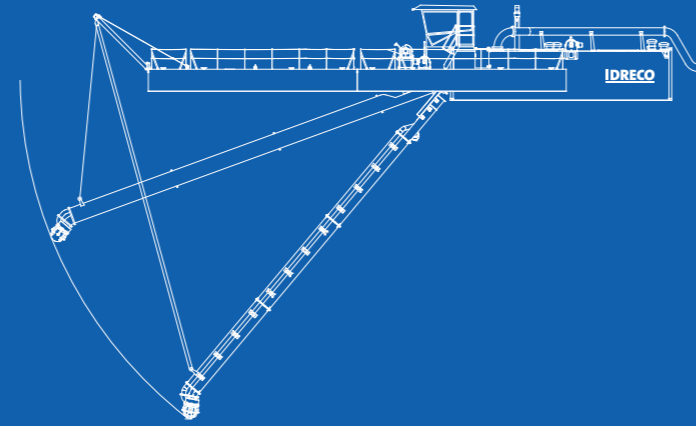
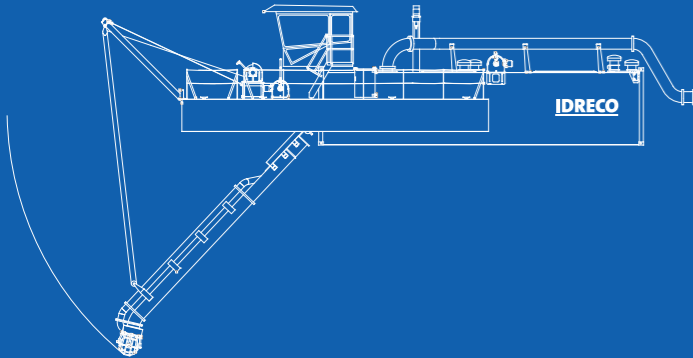
IDRECO | INTELLIGENT DREDGERS

IDRECO's standard dredger range is built fully containerized to ensure low-cost transportation worldwide and allow delivery to inland (sand and gravel) mines and hydrodam locations with often limited accessibility.

Relocation of the dredger later on to other sites is facilitated through the iPlug-and-Dredge Concept.

Through the modular design, IDRECO can ensure industry-leading delivery times and a continuous availability of parts.

Full customization is possible through extensive choices on for example the iPump type, and levels of automation, monitoring and visualization.



DRAGA-1000

Dredging Depth:

1–10 m

Mixture capacity:

1000–3000 m³/h

Drive:

- Electric
- Diesel direct*
- Diesel-Electric*

Loosening tool:

- Jet head
- Add-on Excavators*

Transportable in:

3 containers (40ft)

DRAGA-1800

Dredging Depth:

1–18 m

Mixture capacity:

1000–3000 m³/h

Drive:

- Electric
- Diesel direct*
- Diesel-Electric*

Loosening tool:

- Jet head
- Add-on Excavators*

Transportable in:

4 containers (40ft)

DRAGA-3500/4500/5500

Dredging Depth:

- 3–35 m
- 3–45 m
- 3–55 m

Mixture capacity:

1000–4000 m³/h

Drive:

- Electric
- Diesel-Electric*

Loosening tool:

- Jet head
- Add-on Excavators*

Transportable in:

7–13 containers (40ft)

DRAGA-D

Dredging Depth:

10–100 m

Mixture capacity:

1000–2500 m³/h

Drive:

- Electric
- Diesel-Electric*

Transportable in:

6 containers (40ft)

*Optional